

## ● 用途 Applications

GQL型纤维球过滤器与众多的过滤器用途一样，去除水体中悬浮物，所不同的是其滤料是将纤维丝做成多种形状，有效提高了过滤效果和过滤精度，一般作为中等精度过滤用。

Type GQL fiber-ball filter applies to removing suspension in the water, which is the same as other filters. The difference between them is that the filter material for the fiber-ball filter is the fiber which appears in many shapes, thus the effect and precision of filtration can be raised efficiently. This filter is usually used for medium-precision filtration.

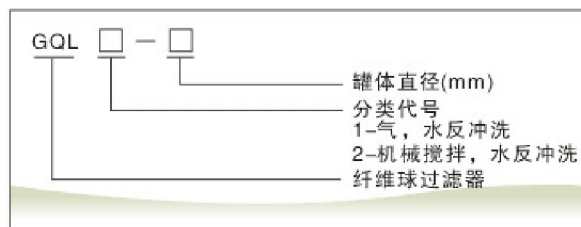
## ● 特点 Features

- |                 |  |
|-----------------|--|
| 1. 滤料先进，效率高。    | 1. Advanced filter material, high efficiency.                |
| 2. 相对体积小，成本低。   | 2. Smaller volume, low cost.                                 |
| 3. 纤维抗腐，寿命长。    | 3. Corrosive-proof fiber with long service life.             |
| 4. 纤维比重小，运行重量轻。 | 4. Fiber of low specific gravity, low weight when operating. |
| 5. 使用周期长。       | 5. Long period of service.                                   |

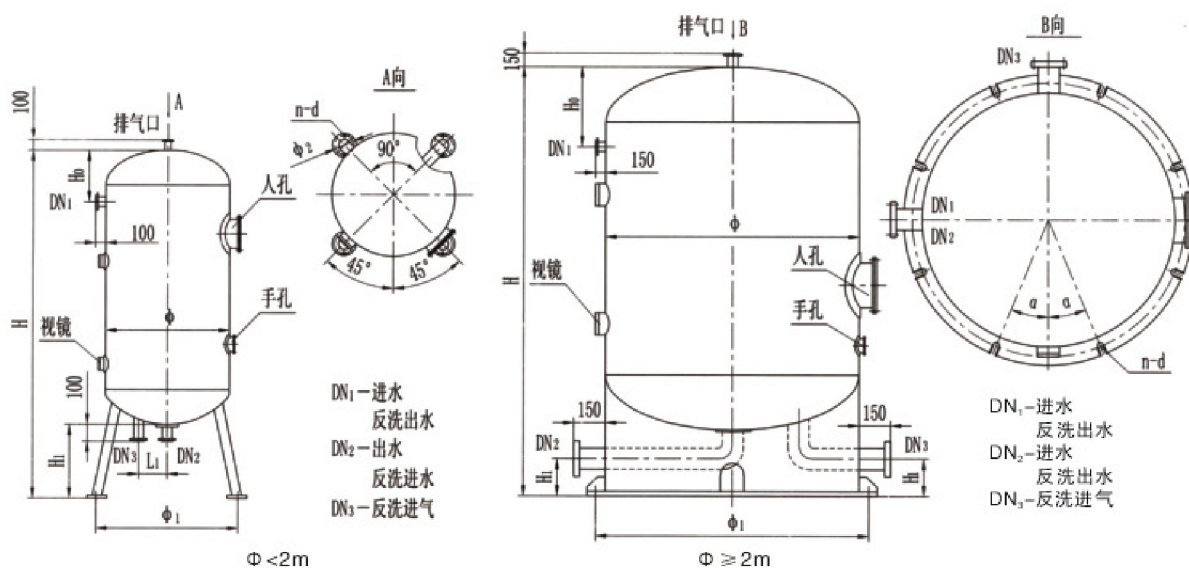
## ● 技术性能参数 Technical Parameters

性能项目	具体指标	性能项目	具体指标
单台处理能力	15-300m <sup>3</sup> /h	悬浮物去除率	85-96%
过滤速度	30m/h	反洗强度	0.5m <sup>3</sup> /min.m <sup>2</sup>
设计压力	0.6MPa	反洗历时	20-30min
阻力损失	串联≤0.3MPa 并联≤0.15MPa	反洗水量比	1-3%
工作周期	8-48h	截污量	6-20kg/m <sup>2</sup>
粗滤（单台，并联）	进水SS≤100mg/L 出水SS≤10mg/L 10μm粒径去处率≥95%		
精滤（单台，并联）	进水SS≤20mg/L 出水SS≤2mg/L 5μm粒径去处率≥96%		
二级串联	进水SS≤100mg/L 出水SS≤2mg/L 5μm粒径去处率≥96%		

## ● 型号示例 Type and Its Indication



## ● GQL型外形结构（气、水反冲洗） Outlines and Configurations of Type-GQL, (air-water back washing)





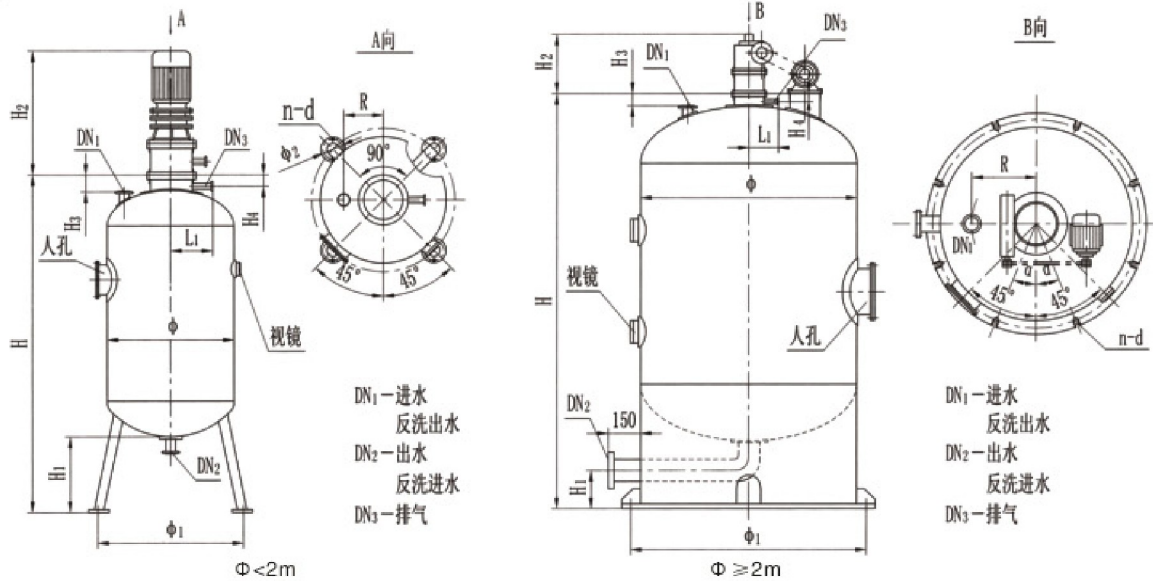
天河水务

GQL 型纤维球过滤器

TYPE-GQL FIBER-BALL FILTER

### ● GQL<sub>2</sub>型外形结构 (反洗带搅拌机)

Outlines and Configurations of Type-GQL<sub>2</sub> (back washing with agitator)



### ● 技术参数 Technical Parameters

(mm)

参数 型号	GQL <sub>1</sub> 型				GQL <sub>2</sub> 型							Φ 1	Φ 2	n-d	a (°)	DN <sub>1</sub>	DN <sub>2</sub>	DN <sub>3</sub>	配用水泵		地基载荷 (N/m <sup>2</sup> )	
	H	H <sub>0</sub>	H <sub>1</sub>	L <sub>1</sub>	H	H <sub>1</sub>	H <sub>2</sub>	H <sub>3</sub>	H <sub>4</sub>	R	L <sub>1</sub>								搅拌功率 (kW)	扬程 (m)		功率 (kW)
Φ 600	3000	325	350	210	/	/	/	/	/	/	/	/	600	185	8-Φ18	/	50	50	50	35	4	3.2
Φ 800	3130	385	380	220	2725	350	990	60	70	300	290	4	800	185	8-Φ22	/	65	65	50	35	4	2.9
Φ 1000	3280	520	400	230	2980	500	990	100	75	350	295	4	1000	210	8-Φ22	/	80	80	50	38	5.5	3.2
Φ 1200	3450	580	450	240	2976	400	990	115	75	420	295	5.5	1180	216	8-Φ30	/	100	100	65	45	7.5	3.1
Φ 1600	3680	670	500	250	3550	500	1060	120	75	550	300	7.5	1640	240	8-Φ30	/	125	125	65	45	15	4.2
Φ 2000	4150	820	245	/	3750	245	930	100	130	600	310	11	2100	/	8-Φ32	22.5	150	150	65	38	18.5	4.4
Φ 2400	4350	940	258	/	3960	257	1030	130	150	700	470	18.5	2500	/	8-Φ32	22.5	200	200	65	35	30	4.4
Φ 2600	4540	990	260	/	4120	260	1030	150	200	700	490	18.5	2716	/	8-Φ32	22.5	200	200	80	38	37	4.7
Φ 2800	4440	1060	270	/	4100	270	1030	160	200	800	500	22	2900	/	8-Φ32	22.5	250	250	80	38	37	4.7
Φ 3000	4840	1190	320	/	4630	350	1030	280	200	820	500	22	3120	/	12-Φ32	15	300	300	80	50	45	4.7
Φ 3600	5240	1250	350	/	5040	350	1150	350	250	1200	700	22	3750	/	12-Φ32	15	350	350	100	50	45	5.2

### ● 订货说明 Requirements for Order

- 1.本过滤器分1型、2型，1型适用于有气源场合，2型适用于无气源场合，订货时应详细注明规格。
- 2.本设备接口法兰均按JB/T81-94，0.6MPa标准制造。
- 3.对防腐或内衬有特殊要求应注明。
- 4.本设备Φ>3.5m时，需现场制作。
- 5.本设备不含管道、泵、阀，需要另订。
- 6.多台设备有关自控与布置，资料另索。

1. There are two kinds of the Filter, Type 1 and Type 2. Type 1 can be used with the gas available and Type 2 with no gas available. Make clear the right type and specification in detail when order.
2. The steel flanges used for the Filter are up to the JB/T81-94 with the nominal pressure of 0.6MPa.
3. Make clear when the anticorrosion or inner layer must meet special demands.
4. The Filter whose diameter is more than 3.5m should be produced on spot.
5. The Filter does not include pipes, pumps and valves, Make other orders if you need.
6. For the automatic control and arrangements for multi-equipments, please ask us for detail information.

