



● 用途 Applications

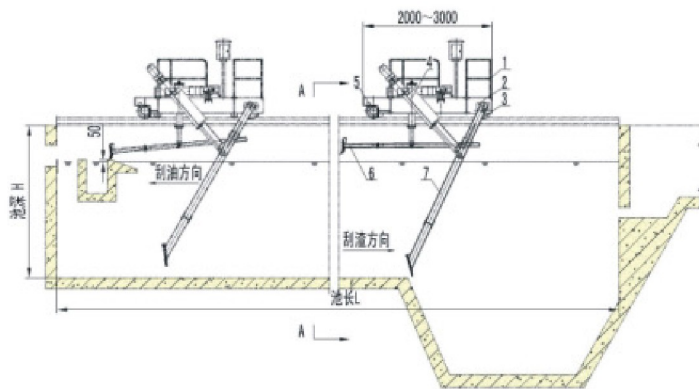
主要用于冶金、钢铁、化工、厂矿企业及需要刮除比重较大沉淀物的平流沉淀池中，刮除池底部沉淀的矿渣及铁渣等沉淀物，同时可将水面上的浮油刮至排渣槽中，完成油、渣的去除功能。

Mainly used in metallurgy, iron and steel, chemicals, industrial enterprises and the need to scrape a larger proportion of sediment advection sedimentation tank, scrape the bottom of the sedimentation pool of slag and iron slag deposits, and can scratch the surface on the oil slick to slugging tank, complete oil, residue removal capabilities.

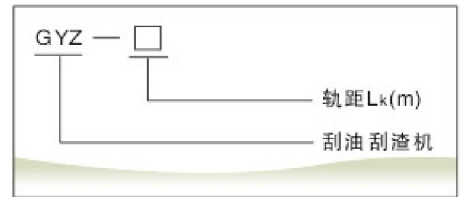
● 主要技术参数 Technical Parameters

参数	型号	GYZ-4.2	GYZ-6.3	GYZ-8.3	GYZ-10.4	GYZ-12.4
池宽 (m)		4.0	6.0	8.0	10.0	12.0
池深范围H (m)		2.75~3	3~4	3.5~4.5	4~5	4~5
池长L (m)		~ 65				
水面距池顶h (m)		0.75	0.6~1	~1	~1	~1
刮油速度 (m/min)		1.3	1.2	1.2	1.2	1.2
刮渣速度 (m/min)		1.3	1.2	1.2	1.2	1.2
渣耙升降速度(m/min)		2.53	0.51	0.51	0.51	0.51
刮渣能力 (kg/次) (干渣)		280	590	900	1200	1400
总功率 (kW)		2	6	8	11	11
轨道型号 (kg/m)		12	15	22	22	22

● GYZ 型外型 Outlines

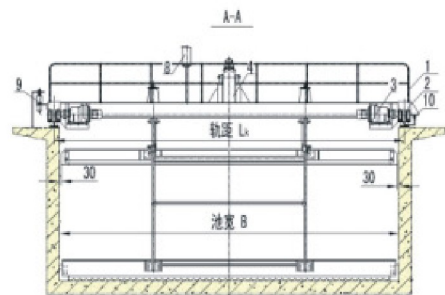


● 型号示例 Type and Its Indication



● 特点 Features

- 刮渣能力强。特别适用于比重大的沉淀物（如氧化铁皮、矿渣等）。
 - 操作方便、合理，控制方式分机上控制和室内遥控两种，并可实现微机自动控制。
 - 使用安全可靠，机上有多种安全保护设施，自我保护能力强。
1. Great capability for cinder-scraping, especially adapted to high-specific-gravity sediment's treating (Iron scale, cinder and so on).
2. It is easy and rational to operate; two kinds of control mode: machine control and remote control in doors and microcomputer automatic control.
3. Safe and reliable in operation, with several protection devices and high capability of self-protection.



1.安全栏杆 2.车体 3.驱动机构 4.提落耙机构 5.从动机构
6.刮油耙 7.刮渣耙 8.电控装置 9.输电装置 10.行车限位器

● 订货说明 Requirements for Order

- 订货时应详细注明设备型号、规格（最大池宽B=25m）。
- 本机电控系统有PLC控制和继电器控制两种形式，订货时请说明采用何种控制方式。
- 本机若使用在不含油的废水处理时，刮油装置可去除(订货时应说明)。
- 本机如使用在北方严寒地区,用户应考虑冬天轨面结冰后的防滑措施。
- 本设备所配轨道及输电装置均由用户自备，请参见桁架式吸泥机样，如需应注明。
- 配套产品如集油管、集油槽、抓斗等另订货，参见相关样本。

- Note clearly the specifications, types of your order (the biggest width of tank B is 20m).
- There are two ways of electric control system: microcomputer control and relay control. Note your mode when order.
- When the treated waste water not containing oil, oil scraper is needn't. Please note when order.
- Take non-skid device into account when ice appears on the surface of the rail in winter especially when used in northern cold areas.
- Superimposed parts as rail are prepared by users themselves; please refer to THE SEDIMENT SUCKER BY TRUSS, When you need, please note.
- Additional order should be made for the accessories such as oil collecting pipes, oil collecting tank, grab bucket, and etc; refer to the related manuals too.