



● 用途 Applications

采用循环供水系统或其它工艺时,均需根据使用的水质考虑投加水质稳定剂(以防冷却水的藻类滋生及尘埃杂物的飘落等因素的综合作用,影响设备运行)。

WA系列及JY系列加药设备专供循环水系统中投加液态水质稳定剂之用,亦可使用于投加液体杀生剂,混凝剂和类似上述性能的水处理药剂。

为适应使用上的需要,WA和JY型加药设备的投药方式有计量泵及水射器两种基本形式。具有结构紧凑、配制齐全、安装迅速、操作简单、维护方便的特点。

设计单位、工矿企业和有关民用设施等均可选用。

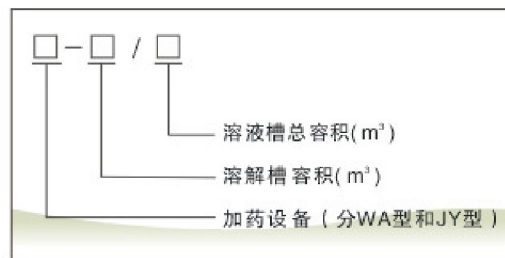
Adopting circulation water supply systems or other technology needs consideration of adding water quality stabilization according to the using water quality. (In case the composite effect of propagation of algae in the jacket water and falling dust would affect the normal running of equipments).

WA series and JY series chemical equipments are exclusively produced to put fluid water quality stabilization into circulation water supply system. And they are also used to add fluid biocide, coagulant and other water treating chemicals.

In need of using, WA and JY type chemical feeders have two feeding patterns: metering and bilge pumps. They have compact structures and all the necessary fittings and can be quickly mounted and easily operated and maintained.

Design institutes, industrial and mining enterprises and civil facilities may select this system.

● 型号示例 Type and Its Indication



● WA、JY 型工作原理 Working Principles

- a. 根据所需药剂浓度、在溶解槽内配制、搅匀,并注入中间箱,待用。
- b. 用计量泵或其它投配形式向投药点定量输送所配制溶液。
- c. 中间箱、溶解槽内残留污物通过排污管排出。

● 技术性能参数及外形尺寸表 Technical Parameters Shape and Size

型号	外形尺寸 长×宽×高 (m)	溶药量(干固体) (kg/d)	电机功率 (kW)		配管管径 (mm)		
			搅拌	计量	A	B	C
WA0.5	2.5 × 1.7 × 2.4	75	0.75	0.37 ~ 0.55	DN25 (G1")	DN15 (ABS)	DN40 (ABS)
JY0.3/0.72	2.9 × 1.7 × 2.5	180	0.75	0.37 ~ 0.75			

- 注:
1. 上表A—溶解槽进水管; B—出液管; C—排水管。
  2. 溶药量系根据最大药剂浓度每天配制三次的药剂干固体总量。
- Notes:
1. The above tables, A—dissolving tank inlet pipe, B—bilge pump inlet pipe, C—exhaust water pipe.
  2. Quantity of medicament is the quantity mixed three times a day according to maximum concentration.



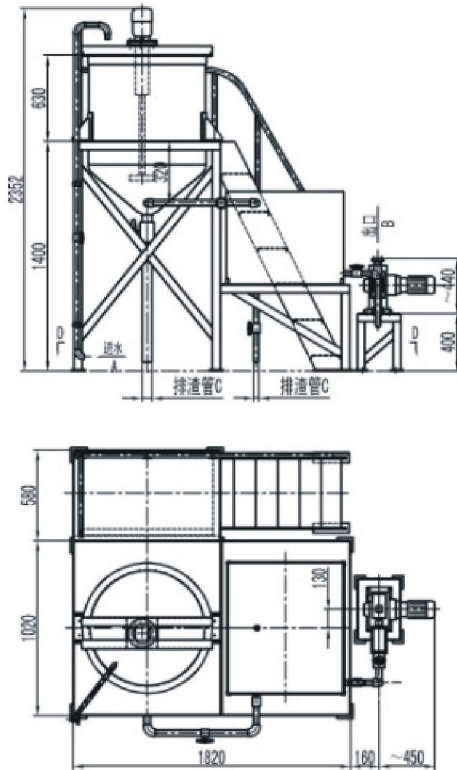


天河水务

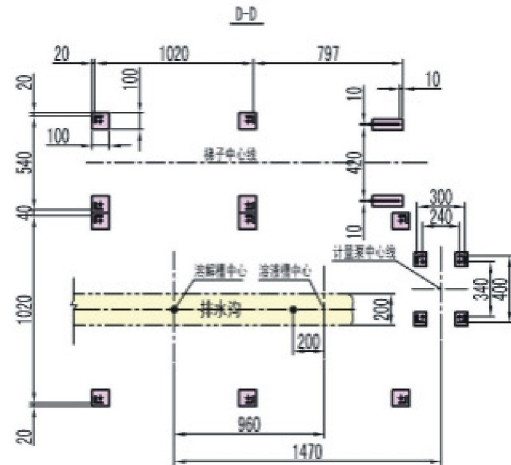
WA、JY 型加药设备

TYPE-WA、JY CHEMICAL FEEDER

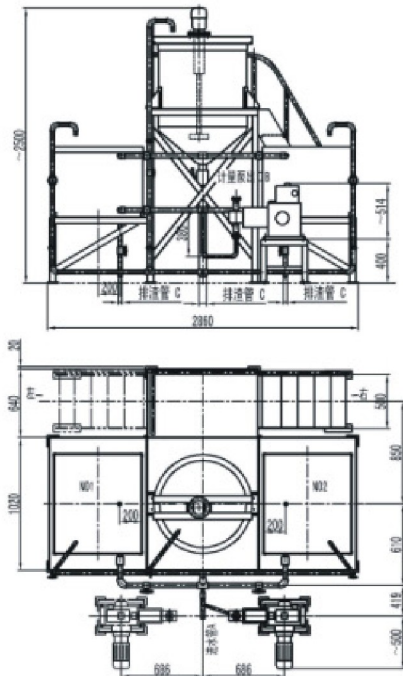
● WA0.5 结构及外形 Outlines



● WA 型基础 Base



● JY0.3/0.72 型结构及外形 Outlines



● 订货说明 Requirements for Order

1. 注明主体设备材质，未注明时，按罐体玻璃钢，机架碳钢制作。
  2. 注明计量泵的流量、压力等参数，并注明数量。
  3. 若需配套安装用膨胀螺栓，请注明。
1. Please note the material of the main equipment. The tank is considered as glass steel and the rack as carbon steel when there is no notice.
  2. Please note the metering pump flow, pressure and other parameters, and specify the number.
  3. For installation needs supporting expansion bolts, please specify.

