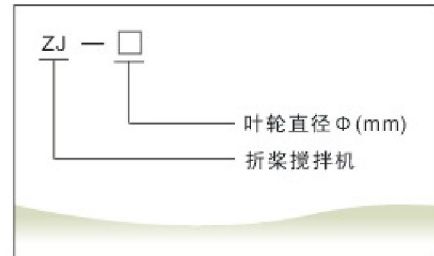


● 用途 Applications

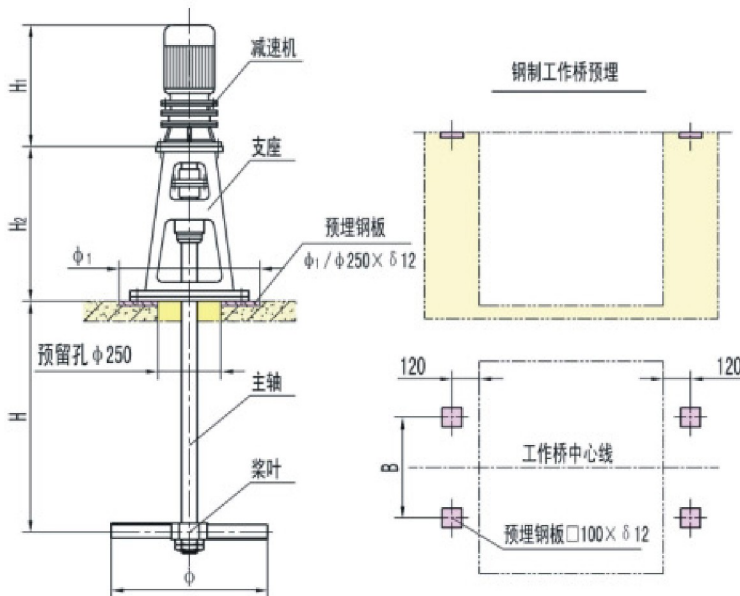
折浆式搅拌机广泛用于给排水工程中，用于各种水处理药剂的溶解或原水与混凝剂的快速混合、反应等。根据防腐要求，水下部件可用不锈钢制作。

The Agitator is widely used in water supply and sewage works, in the dissolve of all kinds of water treatment chemicals, and used in the quickly mixing and reacting of primary water with coagulants. The underwater parts are made of stainless steel to anti-corrosion.

● 型号示例 Type and Its Indication



● 外形及尺寸 Shape and Size



参数 型号	转速 (r/min)	功率 (kW)	外形尺寸 (mm)					适用容积 (m ³)	
			Φ	H	H ₁	H ₂	B		Φ ₁
ZJ-200	125	0.75	Φ200	~1300	-481	536	500	Φ460	~10
ZJ-350	125	0.75	Φ350	~1300	-496	536	500	Φ460	
ZJ-470	125	1.5	Φ470	~1500	-533	536	500	Φ460	
ZJ-700	84	2.2	Φ700	~1900	-630	586	550	Φ500	~40
ZJ-800	84	3	Φ800	~2000	-630	586	550	Φ500	
ZJ-1000	84	4	Φ1000	~2200	-630	586	550	Φ500	~60
ZJ-1200	84	4	Φ1200	~2200	-609	586	550	Φ500	
ZJ-1800	65	5.5	Φ1800	~2400	-609	666	600	Φ550	~100
ZJ-2600	17	7.5	Φ2600	图号为DB384, 请索要详细资料					

注：我公司另生产其它形式的搅拌机，如涡轮桨式，平桨式搅拌机，轴流式搅拌机资料备索。